

**Enquire Data Sheet Standard strip brushes SLP**

Niebling Technische Bürsten GmbH

Name, Date .....

Industriestraße 12  
91593 Burgbernheim  
Germany

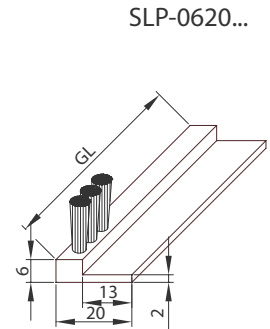
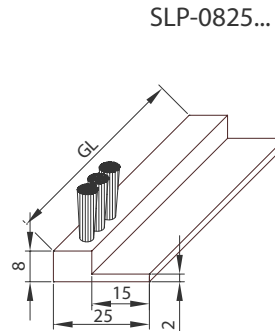
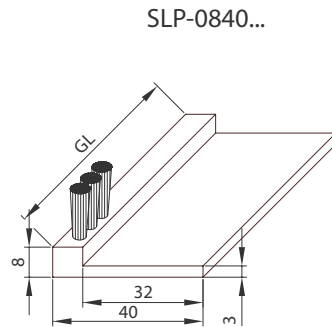
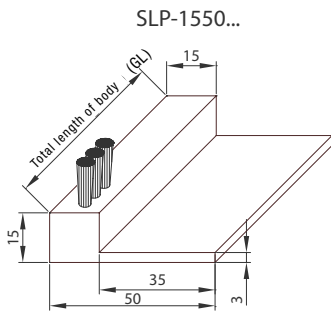
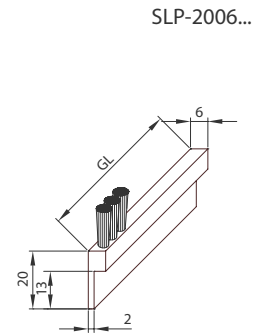
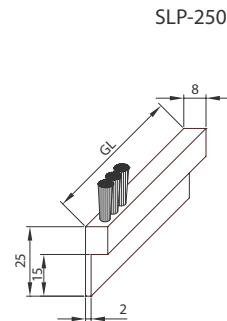
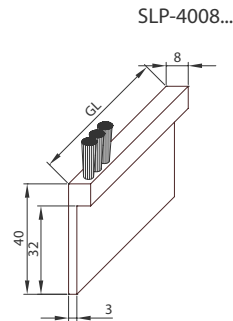
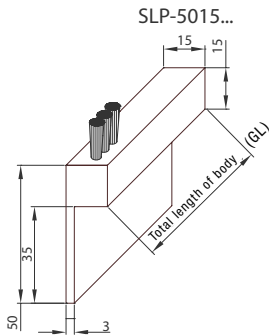
Company / Customer-ID .....

Address .....

Tel.: +49(0)98 43 98 94-0  
Fax: +49(0)98 43 98 94-20  
www.niebling.com vertrieb@niebling.com

City, ZIP, Country .....

Phone:, E-Mail .....



**Fill configuration**

High fill density single row

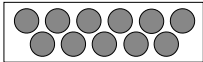


Standard fill density single row



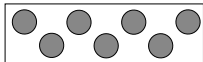
1/1 row available from SLP 2508

1/1 offset row extra dense



1/1 row available from SLP 5015 or SLP 1550

1/1 offset row normal density



2/1 row available from SLP 5015 or SLP 1550

2/1 offset row extra dense



**Fill height (BH) from body**

mm

**Total length (GL)**

mm

**Bundle bore size**

∅ 3,5 mm

∅ 4,0 mm

∅ 5,5 mm

∅ Other

**Bristles**

PA

PBT

PBT detectable

PP

Other

Fibre (nature)

**Color synthetic bristles**

Black

Transparent

Other

**Application area**

Food

Dry

Wet

Temperature range max.

°C

Chemical resistance to

Other

**Punching wire**

Blank

Tin-plated

Stainless steel

Description/Comments:

Example for fixing holes

